

Fast Frame | 1



Model: T-Lab X3 (Gravel)

Frame Size: Small

Cable Routing/Derailleur Configuration

Internal Mechanical 2X (optional Di2)

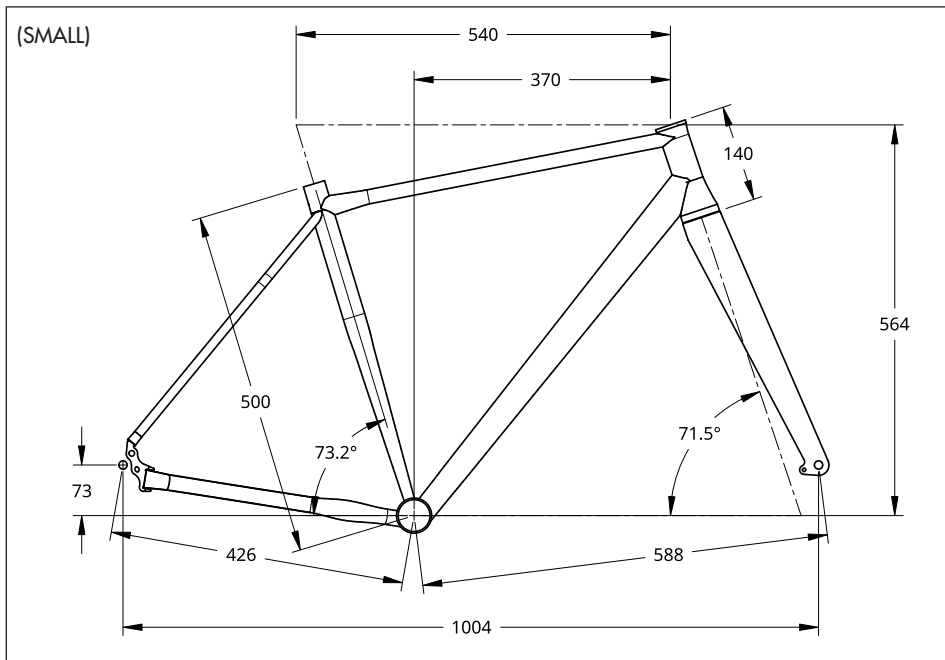
Finish: LUX (brushed)

Frame Options

Fender / Rack / Bento and 3rd Water Bottle Mounts

Source / Condition

Showroom Model / Like New



***BUILD IT UP AS A COMPLETE BIKE*
WITH THE FOLLOWING KIT.*****

Available Components:

Drivetrain: Shimano GRX610 (12-sp)

Crank: Shimano FC-RX610-2: 46-30

Cassette: 11-34T

Brakes: BR-RX400 -12sp

Wheelset: Shimano RS(alloy) - 700c

Tires: Pirelli Cinurato 40c

Saddle: Volt

Seatpost: FSA Gossamer (alloy)

Handlebars: FSA Gossamer (alloy)

Stem: FSA Gossamer (alloy)

** Component sizing to be confirmed after order.
Add 2 weeks lead time for complete bike orders.*

**** No Substitutions Allowed**

Fast Frame | 2



Model: T-Lab X3 (Gravel)

Frame Size: Small

Cable Routing/Derailleur Configuration

Internal Mechanical 2X (optional Di2)

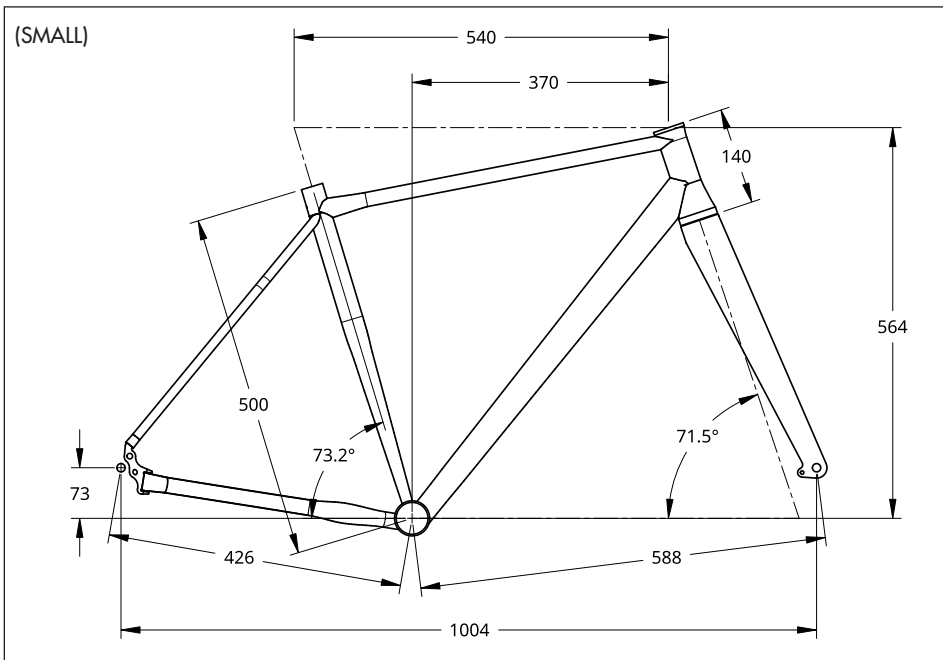
Finish: LUX (brushed)

Frame Options

Fender / Rack / Bento and 3rd Water Bottle Mounts

Source / Condition

Showroom Model / Like New



***BUILD IT UP AS A COMPLETE BIKE*
WITH THE FOLLOWING KIT.*****

Available Components:

Drivetrain: Shimano GRX610 (12-sp)

Crank: Shimano FC-RX610-2: 46-30

Cassette: 11-34T

Brakes: BR-RX400 -12sp

Wheelset: Shimano RS(alloy) - 700c

Tires: Pirelli Cinurato 40c

Saddle: Volt

Seatpost: FSA Gossamer (alloy)

Handlebars: FSA Gossamer (alloy)

Stem: FSA Gossamer (alloy)

** Component sizing to be confirmed after order.
Add 2 weeks lead time for complete bike orders.*

**** No Substitutions Allowed**

Fast Frame | 3



Model: T-Lab X3 - 1X (Road)

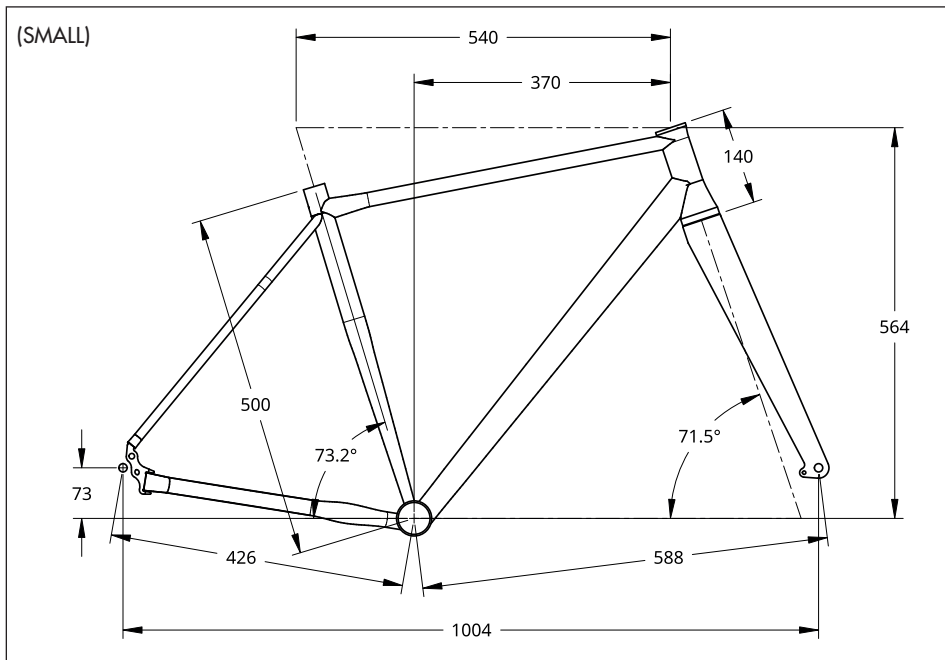
Frame Size: Small

Cable Routing/Derailleur Configuration
Internal Mechanical 1X

Finish: Hue LX (Lethal Red)

Frame Options
Fender & Rack Mounts

Source / Condition
Showroom Model / Light Use



AVAILABLE AS A COMPLETE FLAT BAR BIKE WITH THE FOLLOWING KIT.**

DEMO Components:

Drivetrain: SRAM Apex 1

Crank: FSA Energy - 170mm - 44T

Cassette: 11-42

Brakes: Tektro

Wheelset: Shimano RS(alloy) - 700c

Tires: Pirelli Cinurato 35c

Saddle: Volt WTB

Seatpost: Zipp Service Course (alloy)- 27.2 - 20mm

Handlebars: SRAM Atmos (alloy)

Stem: Zipp Service Course (alloy) - 120mm

*Add 2 weeks lead time for complete bike orders.
** No Substitutions Allowed*

Fast Frame | 4



Model: T-Lab R3 Omni (Road)

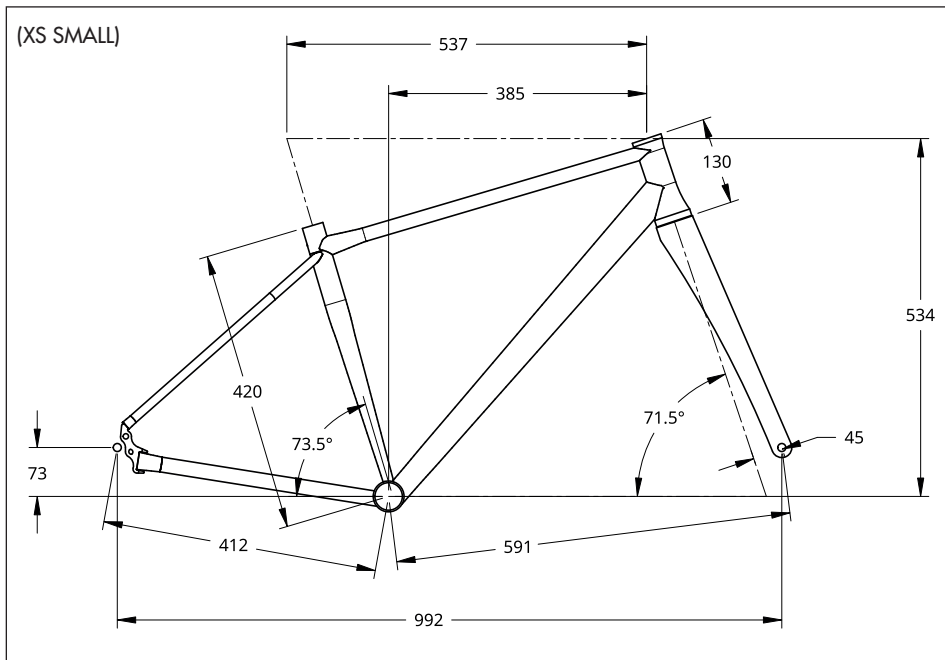
Frame Size: XS Small (modified)

Cable Routing/Derailleur Configuration
Internal Mechanical

Finish: Custom Paint (Gold, Black & White)

Available Frame Upgrades
-

Source / Condition
Showroom Model / Like New



***BUILD IT UP AS A COMPLETE BIKE*
WITH THE FOLLOWING KIT.*****

Available Components:

Drivetrain: Shimano 105 (7100) (12sp)

Crank: Shimano FC-R7100

Cassette: 11-34T

Brakes: ST-R7120 105 -12sp

Wheelset: Shimano RS(alloy) - 700c

Tires: Pirelli Cinturato Sport 28c

Saddle: Volt

Seatpost: FSA Gossamer (alloy)

Handlebars: FSA Gossamer (alloy)

Stem: FSA Gossamer (alloy)

** Component sizing to be confirmed after order.
Add 2 weeks lead time for complete bike orders.*

*** No Substitutions Allowed*

Fast Frame | 5



Model: T-Lab R3 Omni (Road)

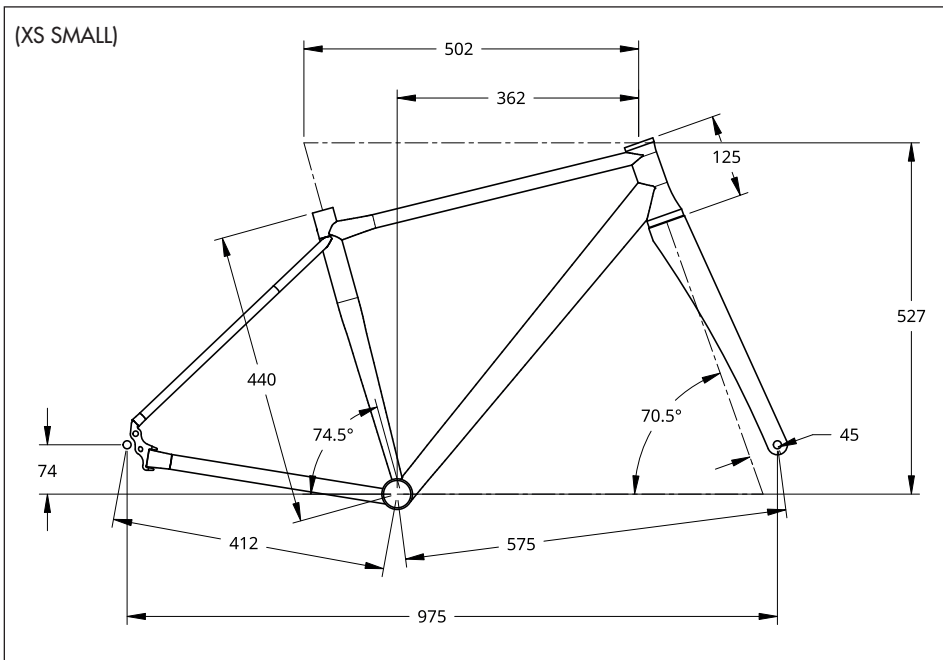
Frame Size: XS Small

Cable Routing/Derailleur Configuration
Internal Mechanical

Finish: Pure (bead blasted)

Available Frame Upgrades
Fender & Rack Mounts

Source / Condition
Showroom Model / Like New



***BUILD IT UP AS A COMPLETE BIKE*
WITH THE FOLLOWING KIT:***

Available Components:

Drivetrain: Shimano 105 (7100) (12sp)

Crank: Shimano FC-R7100

Cassette: 11-34T

Brakes: ST-R7120 105 -12sp

Wheelset: Shimano RS(alloy) - 700c

Tires: Pirelli Cinturato Sport 28c

Saddle: Volt

Seatpost: FSA Gossamer (alloy)

Handlebars: FSA Gossamer (alloy)

Stem: FSA Gossamer (alloy)

** Component sizing to be confirmed after order.
Add 2 weeks lead time for complete bike orders.*

**** No Substitutions Allowed**

Fast Frame | 6



Model: T-Lab R3 Omni (Road)

Frame Size: Small

Cable Routing/Derailleur Configuration

eTap (optional Di2)

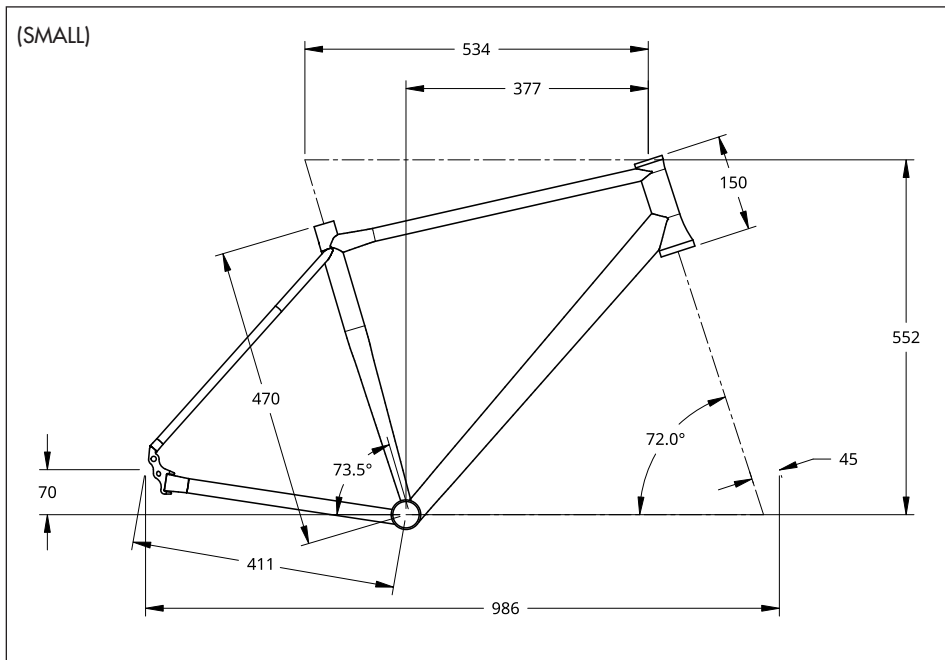
Finish: Lux (brushed)

Available Frame Upgrades

-

Source / Condition

Showroom Model / Like New



***BUILD IT UP AS A COMPLETE BIKE*
WITH THE FOLLOWING KIT.*****

Available Components:

Drivetrain: SRAM Force eTap AXS (2X)

Crank: SRAM Force AXS

Cassette: XG-1270

Brakes: SRAM Force D2

Wheelset: Shimano RS(alloy) - 700c

Tires: Pirelli Cinturato Sport 28c

Saddle: Volt

Seatpost: FSA Gossamer (alloy)

Handlebars: FSA Gossamer (alloy)

Stem: FSA Gossamer (alloy)

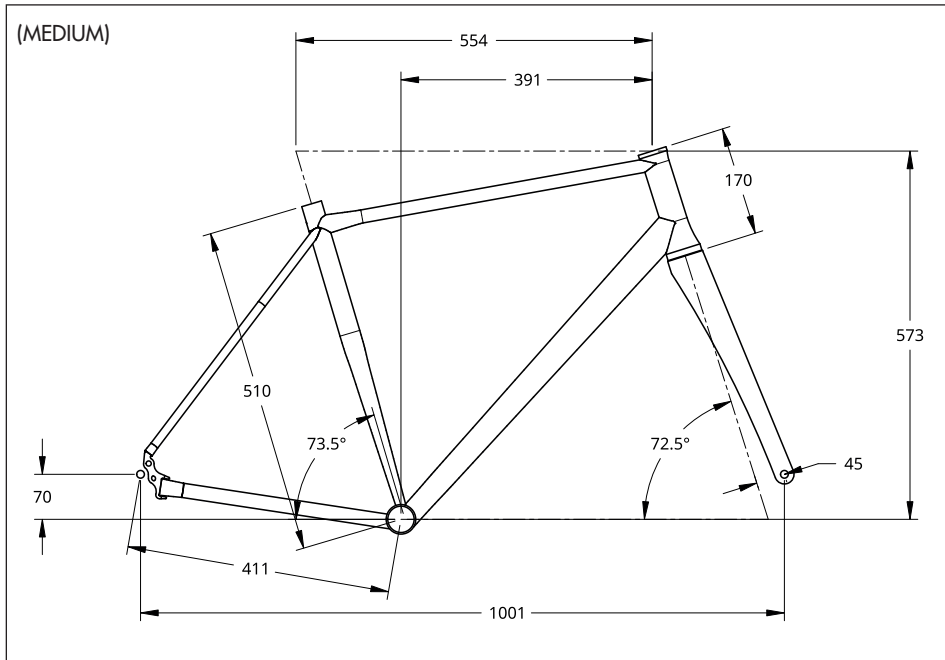
** Component sizing to be confirmed after order.
Add 2 weeks lead time for complete bike orders.*

*** No Substitutions Allowed*

Fast Frame | 7



FRAME SIZE NOT EXACTLY AS SHOWN



Model: T-Lab R3 Omni (Road)

Frame Size: Medium

Cable Routing/Derailleur Configuration
eTap (optional Di2)

Finish: Lux (brushed)

Available Frame Upgrades
-

Source / Condition
Showroom Model / Like New

***BUILD IT UP AS A COMPLETE BIKE*
WITH THE FOLLOWING KIT:***

Available Components:

Drivetrain: SRAM Force eTap AXS (2X)

Crank: SRAM Force AXS

Cassette: XG-1270

Brakes: SRAM Force D2

Wheelset: Shimano RS(alloy) - 700c

Tires: Pirelli Cinturato Sport 28c

Saddle: Volt

Seatpost: FSA Gossamer (alloy)

Handlebars: FSA Gossamer (alloy)

Stem: FSA Gossamer (alloy)

** Component sizing to be confirmed after order.
Add 2 weeks lead time for complete bike orders.*

**** No Substitutions Allowed**

Fast Frame | 8



FORK INCLUDED

Model: T-Lab R3 (Caliper)

Frame Size: Custom (Modified Medium)

Cable Routing/Derailleur Configuration
Internal Mechanical

Finish: Pure

Available Frame Upgrades

-

Source / Condition
Showroom Model / Like New

(CUSTOM MEDIUM)

CONTACT US FOR GEOMETRY DETAILS